

1500V String Power Conversion System

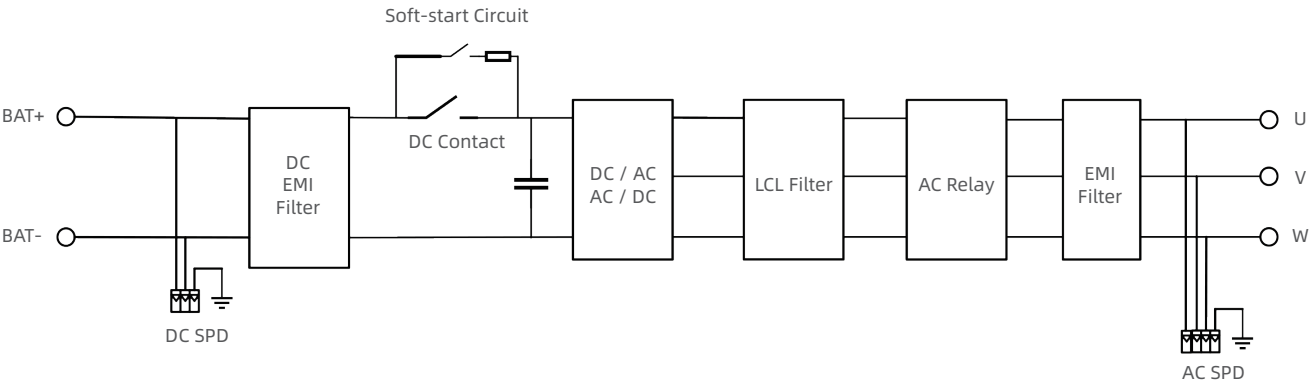
ESHV Series

FEATURES

- Small size & high power density
- Modular design enables accurate management of battery
- IP66 & optional C3~C5 anti-corrosion degree for harsh environment
- Supports multi-module parallel connection, Flexible configuration
- PQ, VSG and other functions



TOPOLOGY DIAGRAM



PARAMETERS

Rated Power		145kW	186kW	215kW	250kW
DC Input	DC Voltage Range	580V~1500V	1000V~1500V		
	Max. DC Current	281A	209A	241A	281A
AC Output	Rated Power	145kW	186kW	215kW	250kW
	Max. Output Power	160kW	205kW	237kW	275kW
	AC Connection	3W+PE			
	Isolation	Non-isolation			
On-Grid	Rated Grid Voltage	400V	690V		
	Voltage Range	340V~440V	586.5V~759V		
	Rated Grid Frequency	50Hz / 60Hz			
	Frequency Range	45Hz~55Hz / 55Hz~65Hz			
	THDi	<3% (At rated power)			
	Power Factor	-1~1			
	Charge-Discharge Conversion Time	<20ms			
Off-Grid	Rated Output Voltage	400V	690V		
	Voltage Imbalance	<2%, No more than 4% in a short period of time			
	THDu	<3% (No load or rated resistive load)			
	Voltage Transient Range	<10% (Resistive load/balanced load. Load change suddenly from 20% to 100% or from 100% to 20%)			
	Overvoltage Protection	Settable value			
	Undervoltage Protection	Settable value			
General Data	Ground System	IT			
	Max. Efficiency	99%			
	Operating Ambient Temperature Range	-40°C~+60°C (Derating above 45°C)			
	Allowable Relative Humidity Range	0~100%			
	Allowable Altitude Range	<4000m (Derating above 3000m)			
	Noise Level	75dB			
	DI Port	4 pairs			
	DO Port	2 pairs			
	Anti-Corrosion degree	C3 (C4 / C5 is optional)			
	Surge Protection	DC Type II / AC Type III			
	Wiring Method	Bottom in and bottom out (Quick plug terminal)			
	Protection Degree	IP66			
	Cooling Method	Smart air-cooling			
	Indicator	LED indicator			
	Communication Interface	Ethernet, RS485, CAN, Local debugging WiFi (Optional)			
	Communication Protocol	Modbus TCP / RTU			
	Dimensions (W*H*D)	795*915*294mm (Excludes hanging board)			
Weight	≤100kg (Net weight)				
Standard Compliance	GB / T 34120, GB / T 34133, GB / T 36547, GB / T 36548, IEC61000, IEC62477, EN50549				